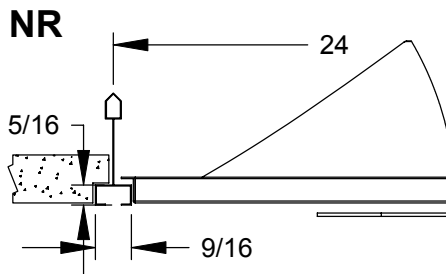
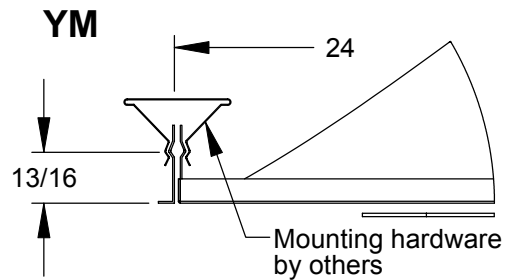
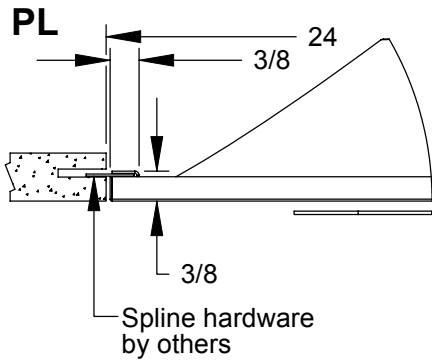


** For SF applications, a separate trim frame ships with a LT diffuser



Available Colors
White

Notes:

* - For Relief Rings, also see submittal RADUS05

Dimensions in inches

FILE: VSD4US	VSD 4 - Thermally Powered Variable Volume Variable Geometry Square Diffuser United States Version	DATE	9/07	
SCALE		N.T.S.	DRW No.	RADUS01
CHECKED BY			REV	N/A
RICKARD		www.rickardus.com		

These drawings do not detail every aspect of the product. This submittal demonstrates general product dimensions; drawings are not to scale. Rickard Air Diffusion reserves the right to make changes without notice. Copyright © 2007 Rickard Air Diffusion