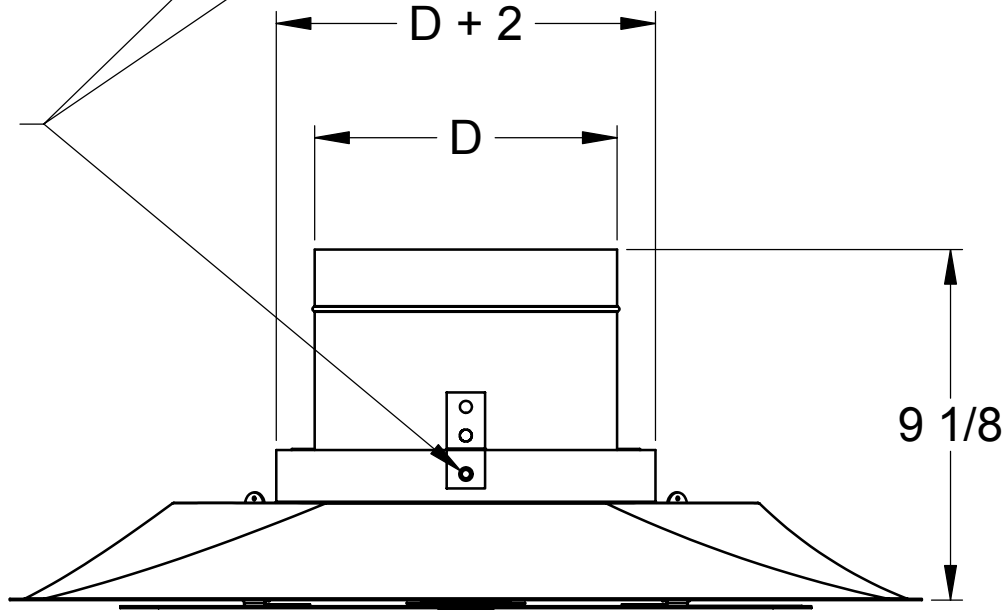
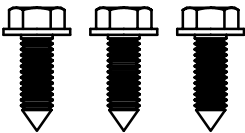


Qty 3 - #8, 1/2" Screws  
(Field Supplied)



**Notes:**

- 1) Relief Rings are painted white
- 2) Relief Rings ship separate and field installed
- 3) Note the diffuser neck must be upsized 2 inches over the nominal duct size.

Model (Relief Ring)	D (Duct Connection)	Required Diffuser Neck Size
RR0406	3 7/8	6
RR0608	5 7/8	8
RR0810	7 7/8	10
RR1012	9 7/8	12

Dimensions in inches

FILE: VSDRRUS	<b>Relief Ring Accessory For VSD Diffusers United States Version</b>	DATE	7/06	
SCALE		N.T.S.	DRW No.	RADUS05
CHECKED BY			REV	N/A



www.rickardair.com

These drawings do not detail every aspect of the product. This submittal demonstrates general product dimensions; drawings are not to scale. Rickard Air Diffusion reserves the right to make changes without notice. Copyright © 2006 Rickard Air Diffusion